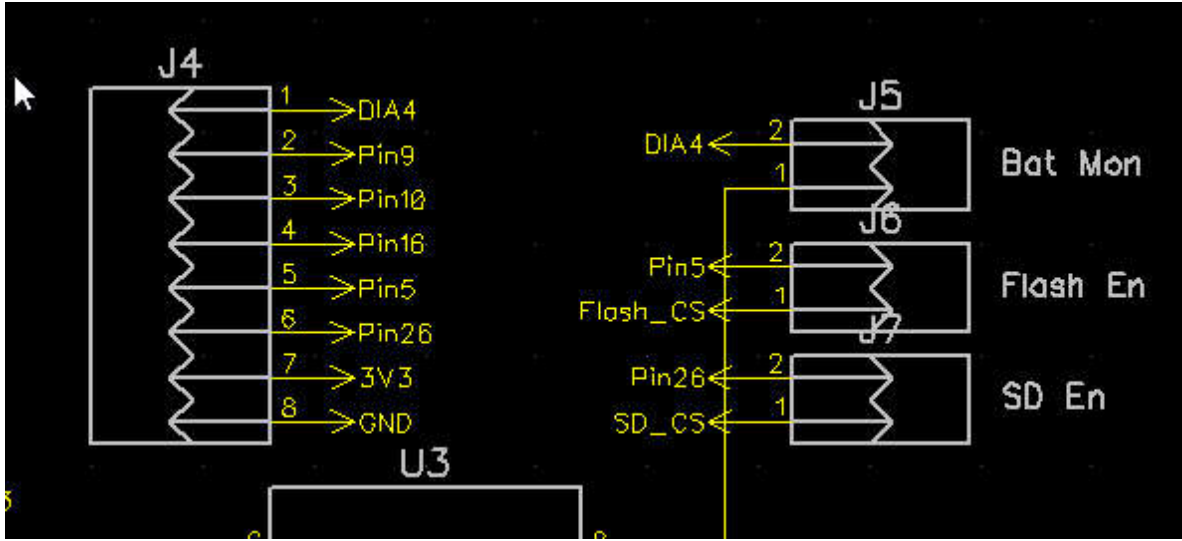
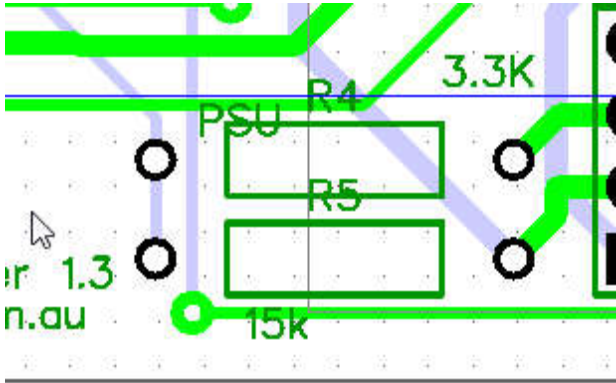


The Silk screen is not correct for some of the pinouts for J4 also the option jumpers. The schematic is correct and should be used instead as a guide.



Battery Monitor voltage divider

The values of R4 and R5 are transposed on the Silk Screen, R4 should be the high value resistor



Reset Pull Up of 10K is normally provided by the ESP8266 module however when it is not being used the Reset pullup is missing. If you are not using the ESP8266 or the 74HC595 you can add a pull up as shown. Alternatively if you are using the 74HC595 you can add between 6 & 8 on the ESP8266 pad.

